

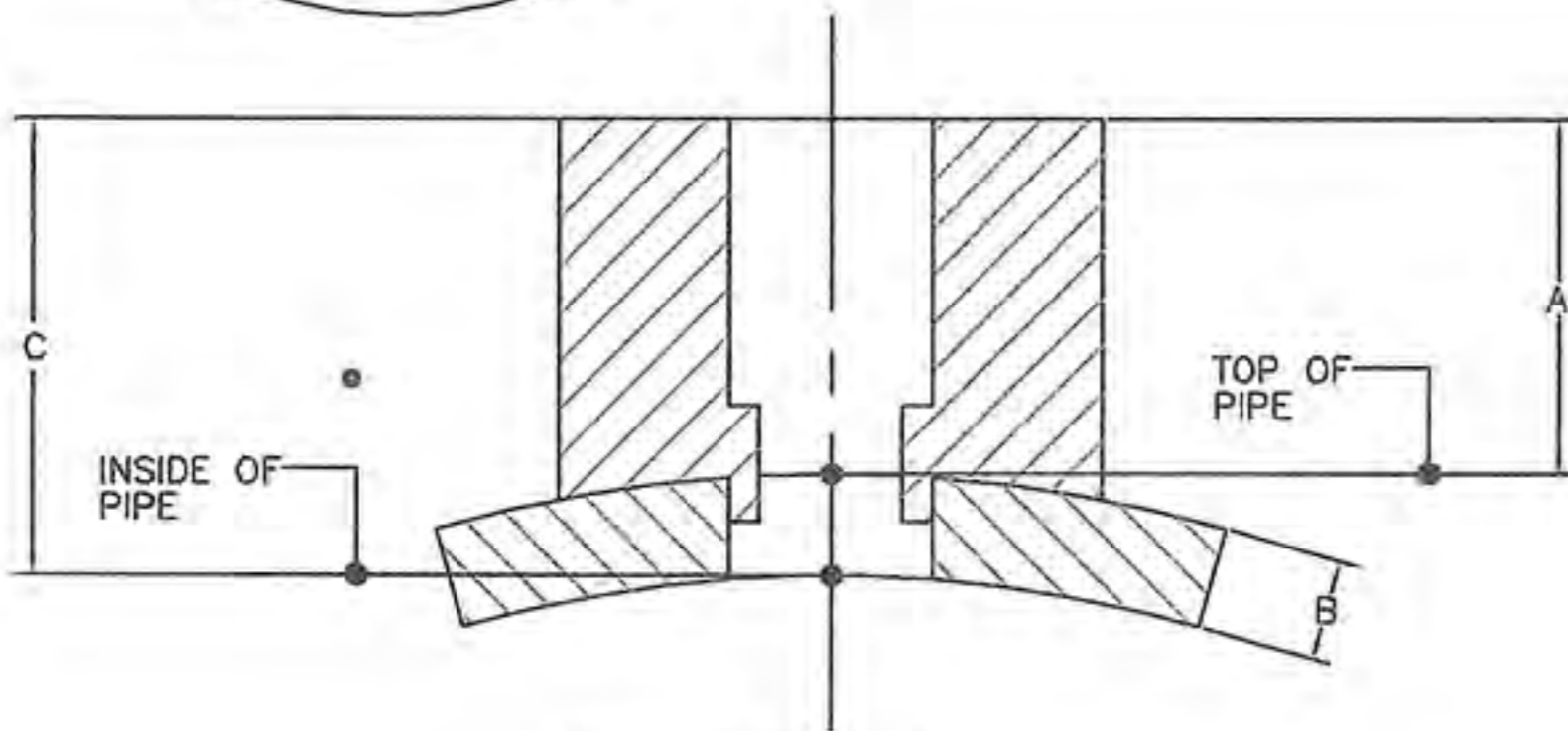
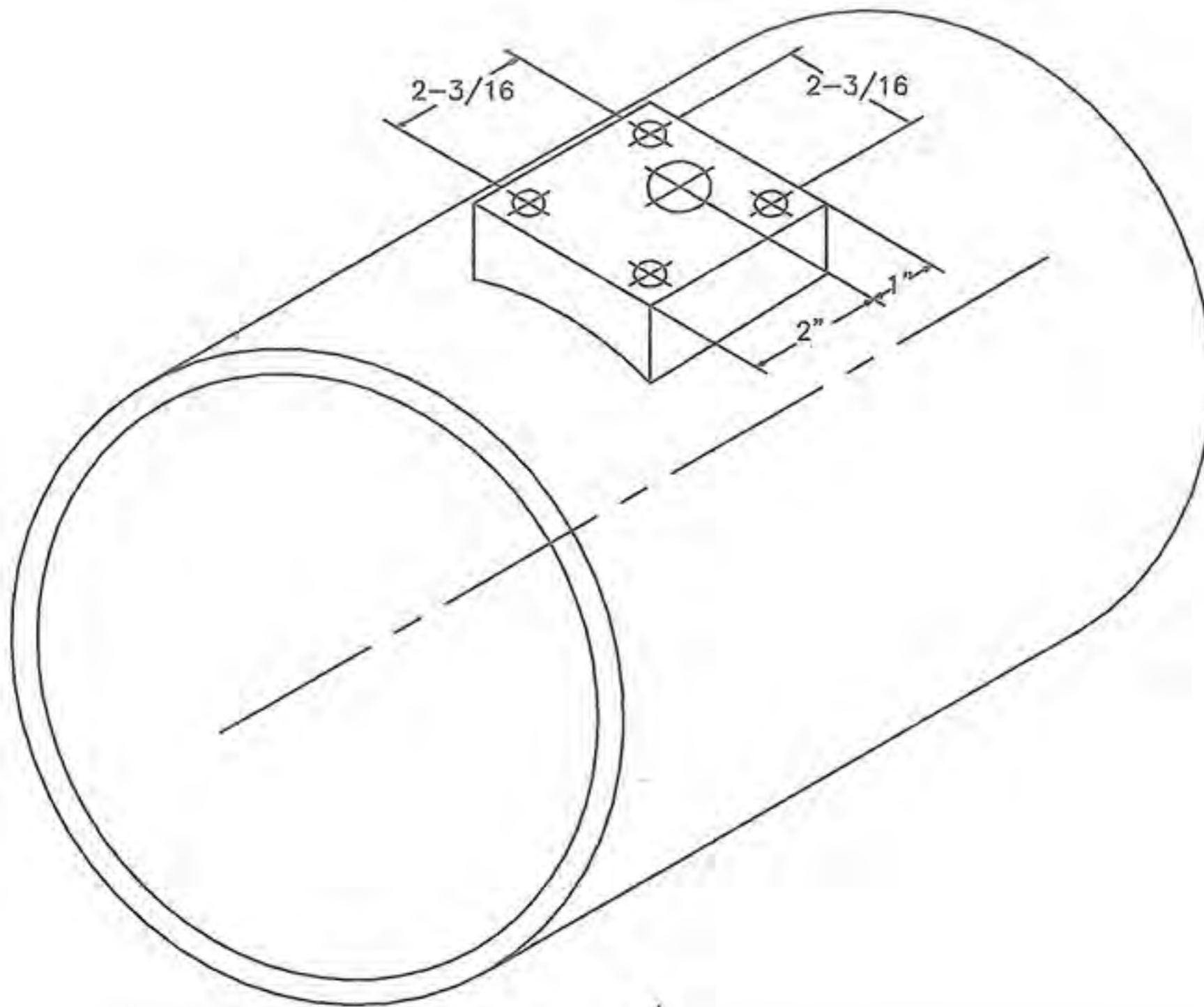
PLEASE FURNISH DIMENSIONS A & B OR C _____

A – TOP OF SWITCH BASE TO TOP OF PIPE _____

B – PIPE WALL THICKNESS _____

C – TOP OF SWITCH BASE TO TOP OF PIPE _____

	<p>METER ENGINEERS, INC. 1600 E Tigua Kechi, KS 67067</p>	<p>MEI-SDS TO KIDD BASE</p>
--	---	-----------------------------



SECTION

PLEASE FURNISH DIMENSIONS A & B OR C

A - TOP OF SWITCH BASE TO TOP OF PIPE _____

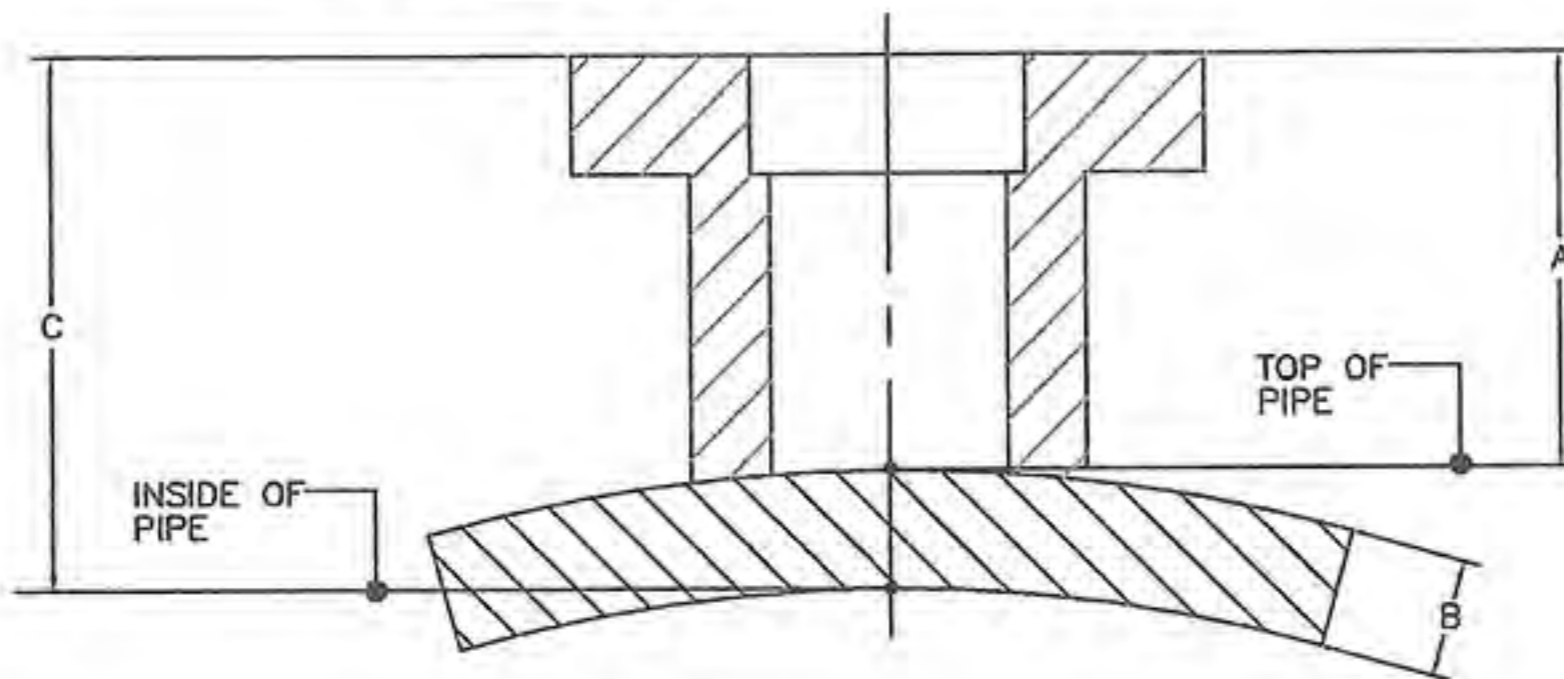
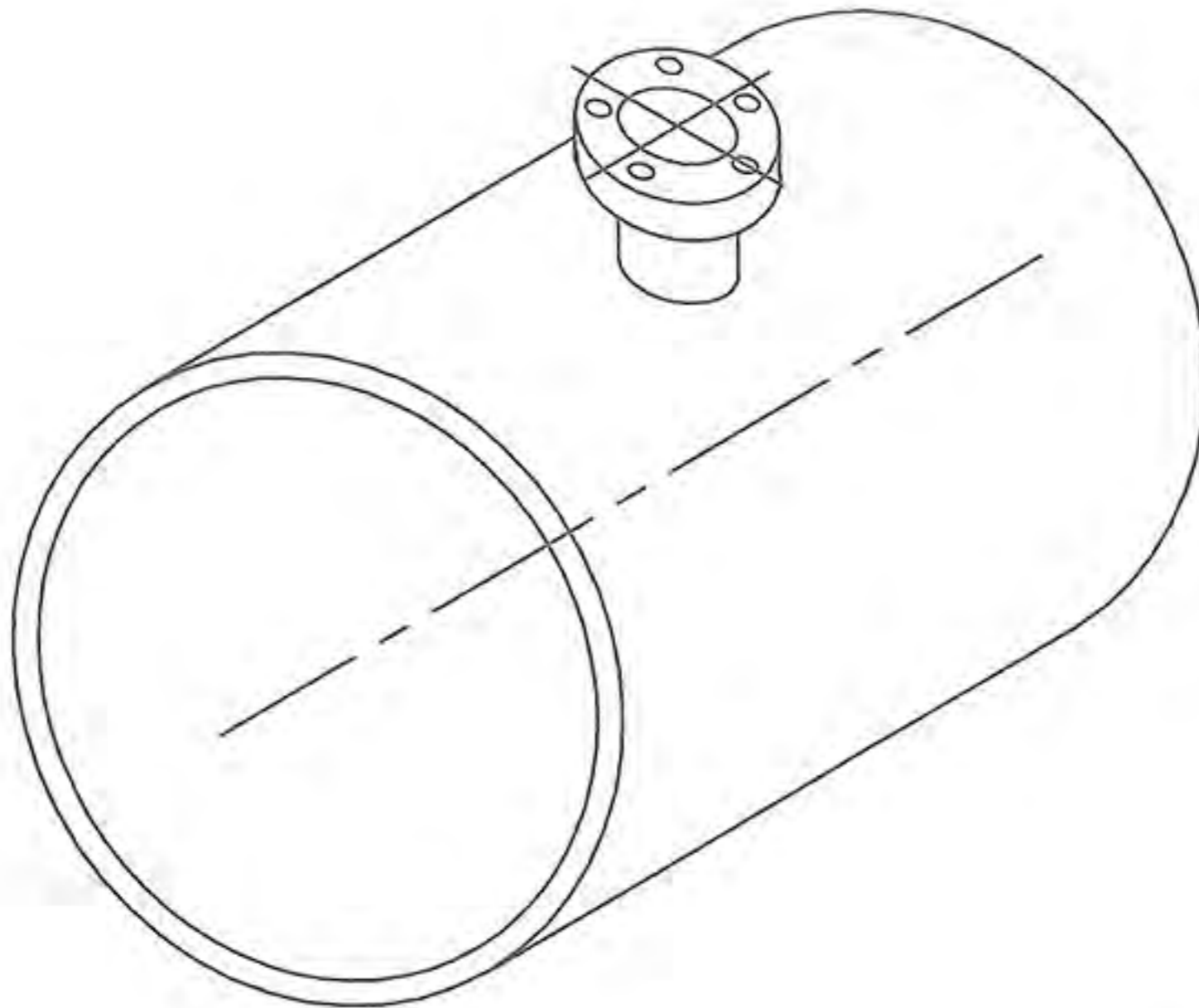
B - PIPE WALL THICKNESS _____

C - TOP OF SWITCH BASE TO INSIDE OF PIPE _____



METER ENGINEERS, INC.
1600 E Tigua
Kechi, KS 67067

MEI-SDS TO METRIC / MAG-TEK (M5) BASE



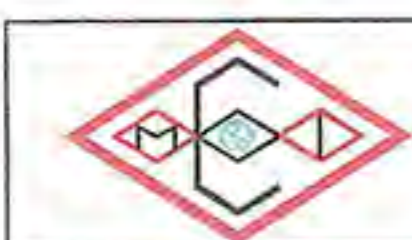
SECTION

PLEASE FURNISH DIMENSIONS A & B OR C

A – TOP OF SWITCH BASE TO TOP OF PIPE _____

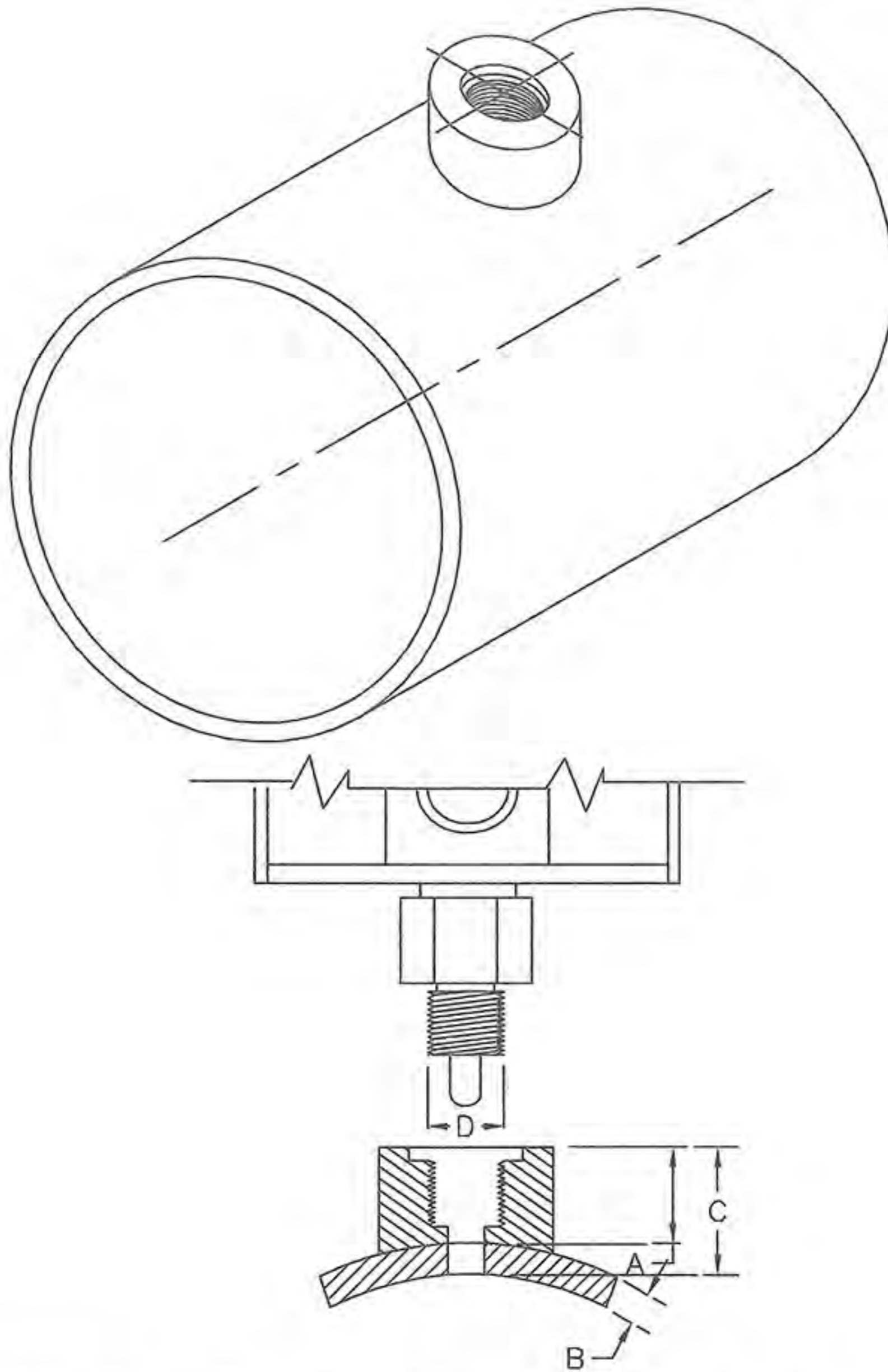
B – PIPE WALL THICKNESS _____

C – TOP OF SWITCH BASE TO INSIDE OF PIPE _____



METER ENGINEERS, INC.
1600 E Tigua
Kechi, KS 67067

MEI-SDS TO METRIC
MAG-TEK (M6) BASE



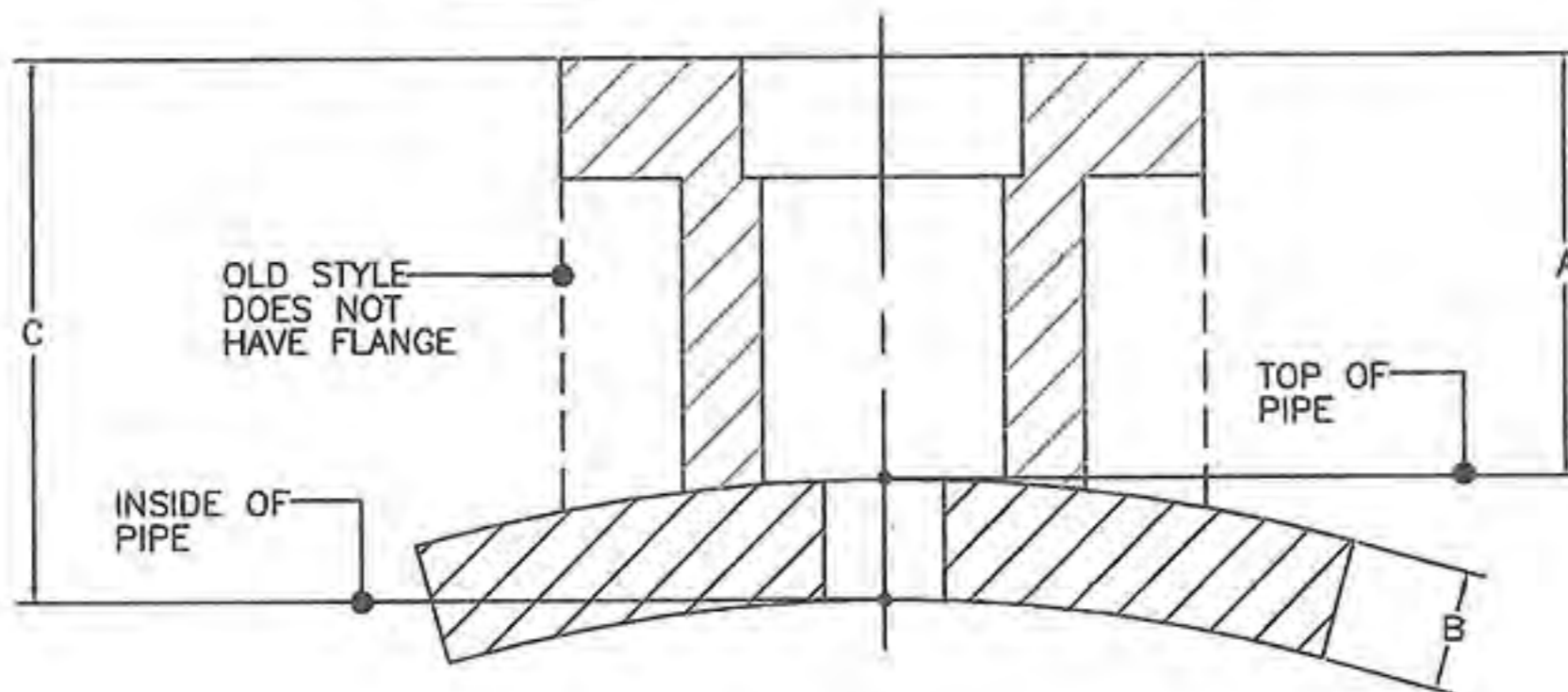
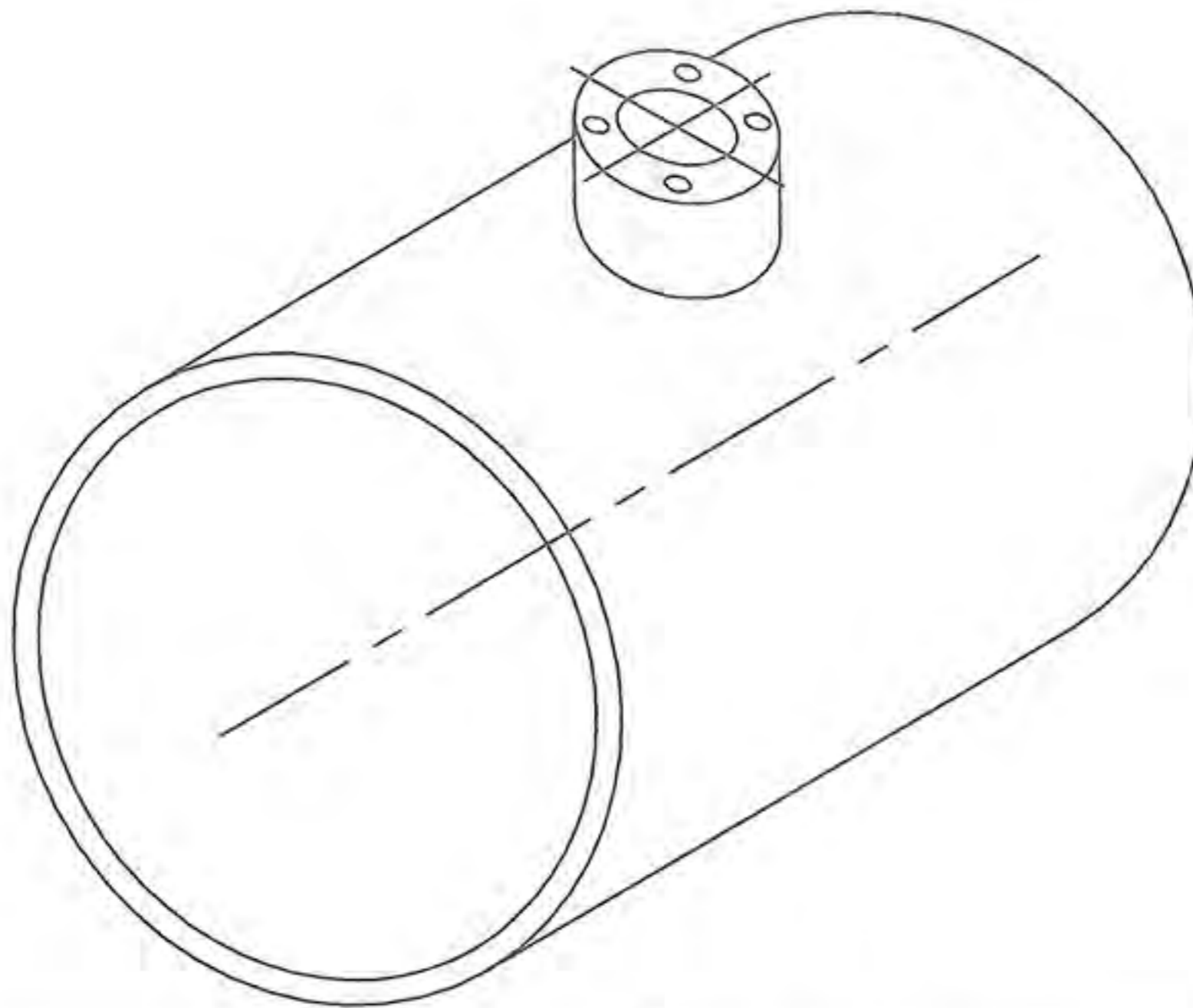
PLEASE FURNISH THE DIMENSIONS LISTED BELOW

- A – TOP OF SWITCH BASE TO TOP OF PIPE _____
- B – PIPE WALL THICKNESS. _____
- C – TOP OF SWITCH BASE TO I.D. OF PIPE _____
- D – O.D. OF THREADED CONNECTION _____



METER ENGINEERS, INC.
 1600 E Tigua
 Kechi, KS 67067

MEI-SDS TO MAINTENANCE MECHANICAL BASE



SECTION

PLEASE FURNISH DIMENSIONS A & B OR C

A – TOP OF SWITCH BASE TO TOP OF PIPE _____

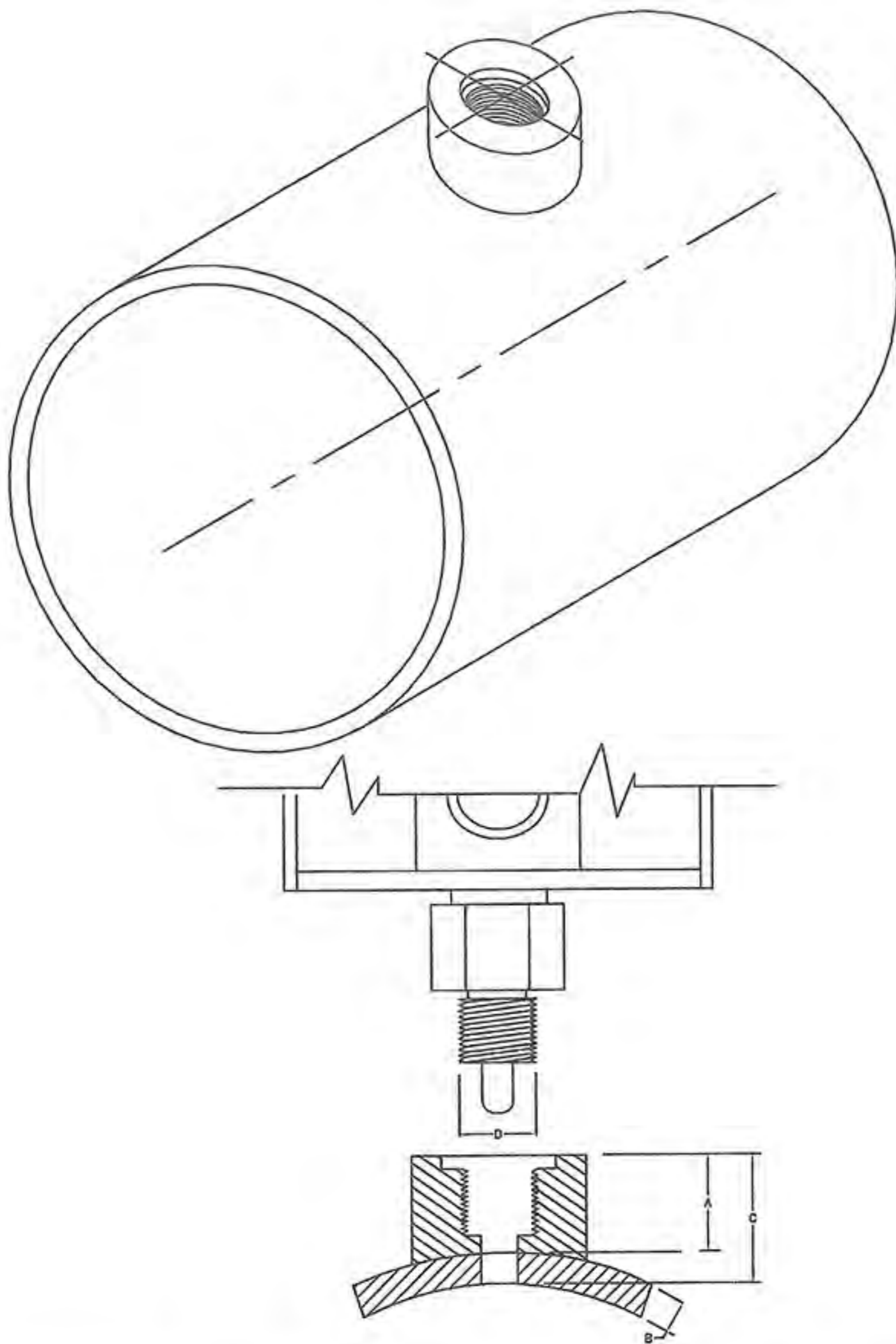
B – PIPE WALL THICKNESS _____

C – TOP OF SWITCH BASE TO INSIDE OF PIPE _____



METER ENGINEERS, INC.
1600 E Tigua
Kechi, KS 67067

MEI-SDS TO MALONEY BASE



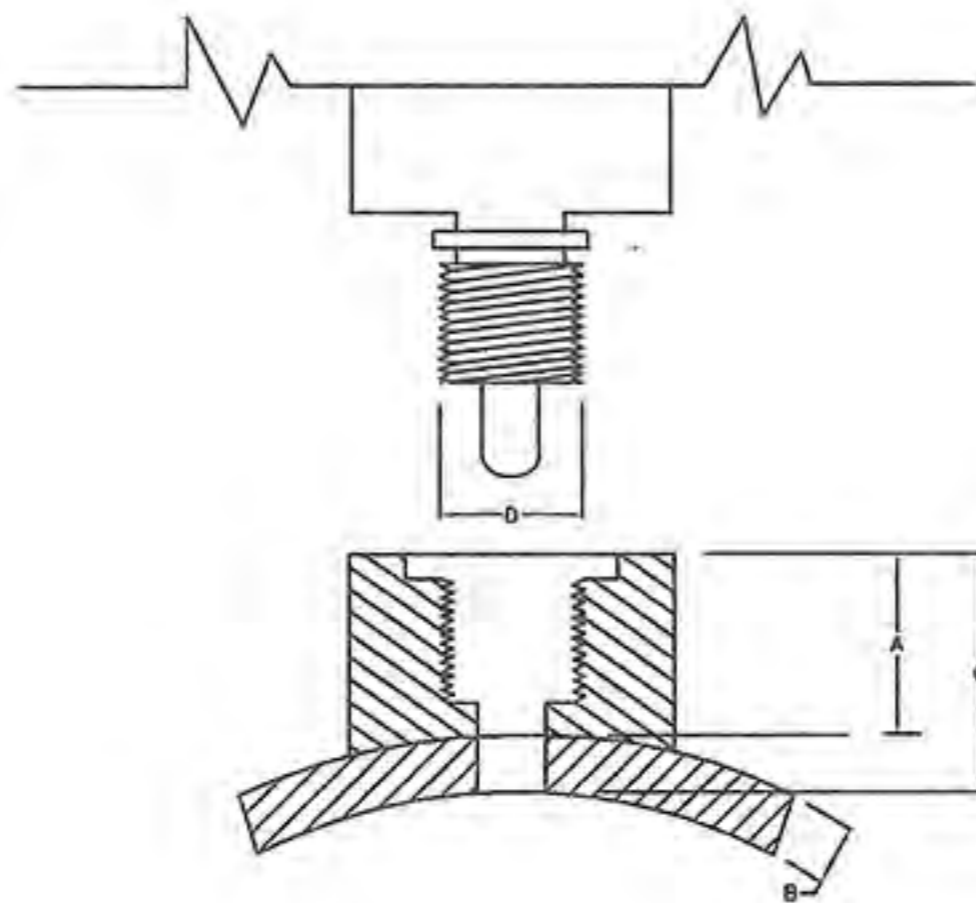
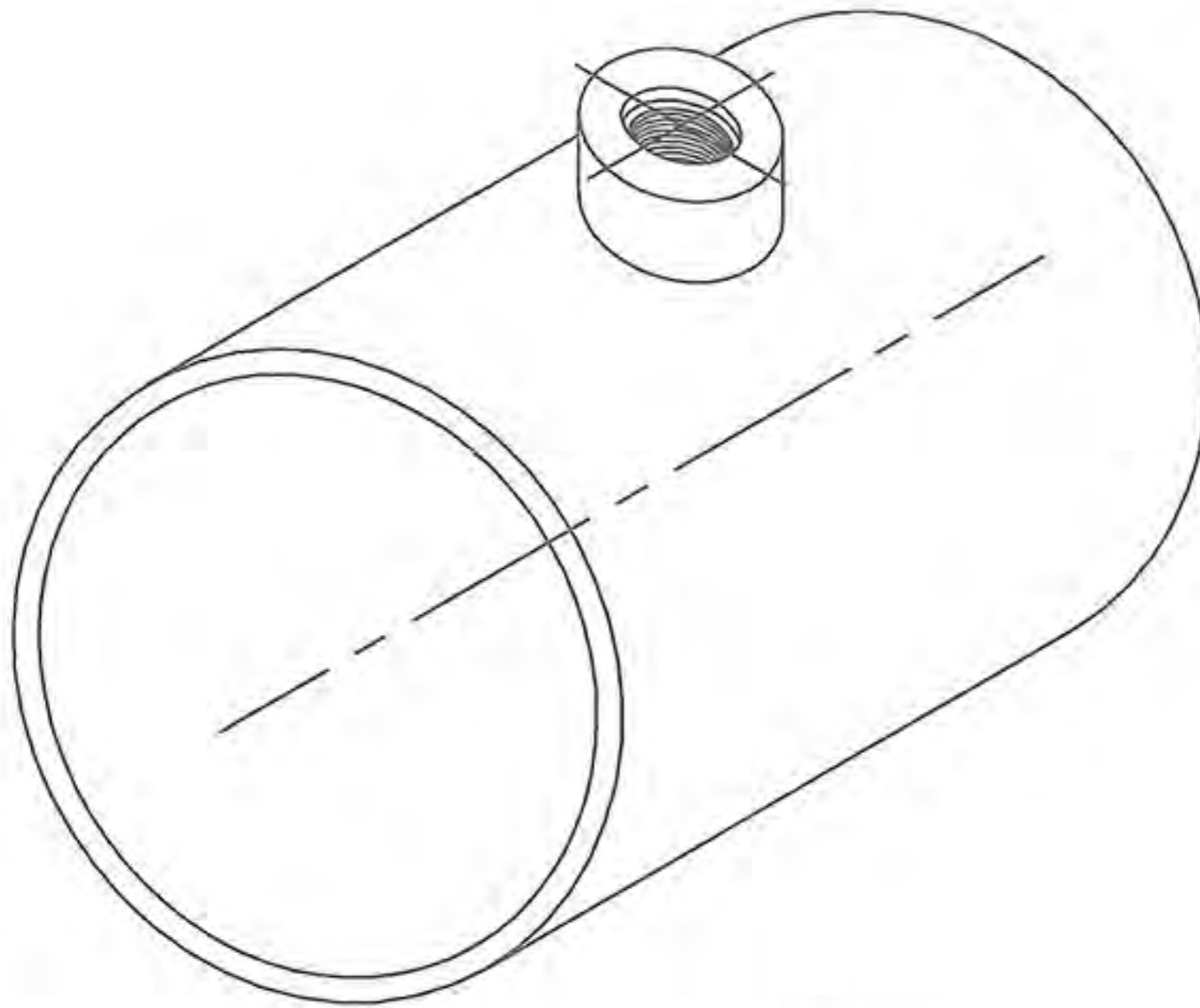
PLEASE FURNISH THE DIMENSIONS LISTED BELOW

- A - TOP OF SWITCH BASE TO TOP OF PIPE. _____
- B - PIPE WALL THICKNESS. _____
- C - TOP OF SWITCH BASE TO I.D. OF PIPE. _____
- D - O.D. OF THREADED CONNECTION. _____



METER ENGINEERS, INC.
 1600 E Tigua
 Kechi, KS 67067

MEI-SDS TO MODERN BASE



PLEASE FURNISH THE DIMENSIONS LISTED BELOW

- A – TOP OF SWITCH BASE TO TOP OF PIPE. _____
- B – PIPE WALL THICKNESS. _____
- C – TOP OF SWITCH BASE TO I.D. OF PIPE. _____
- E – O.D. OF THREADED CONNECTION. _____



METER ENGINEERS, INC.
 1600 E Tigua
 Kechi, KS 67067

MEI-SDS TO SMITH SYSTEMS BASE