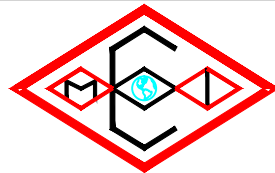
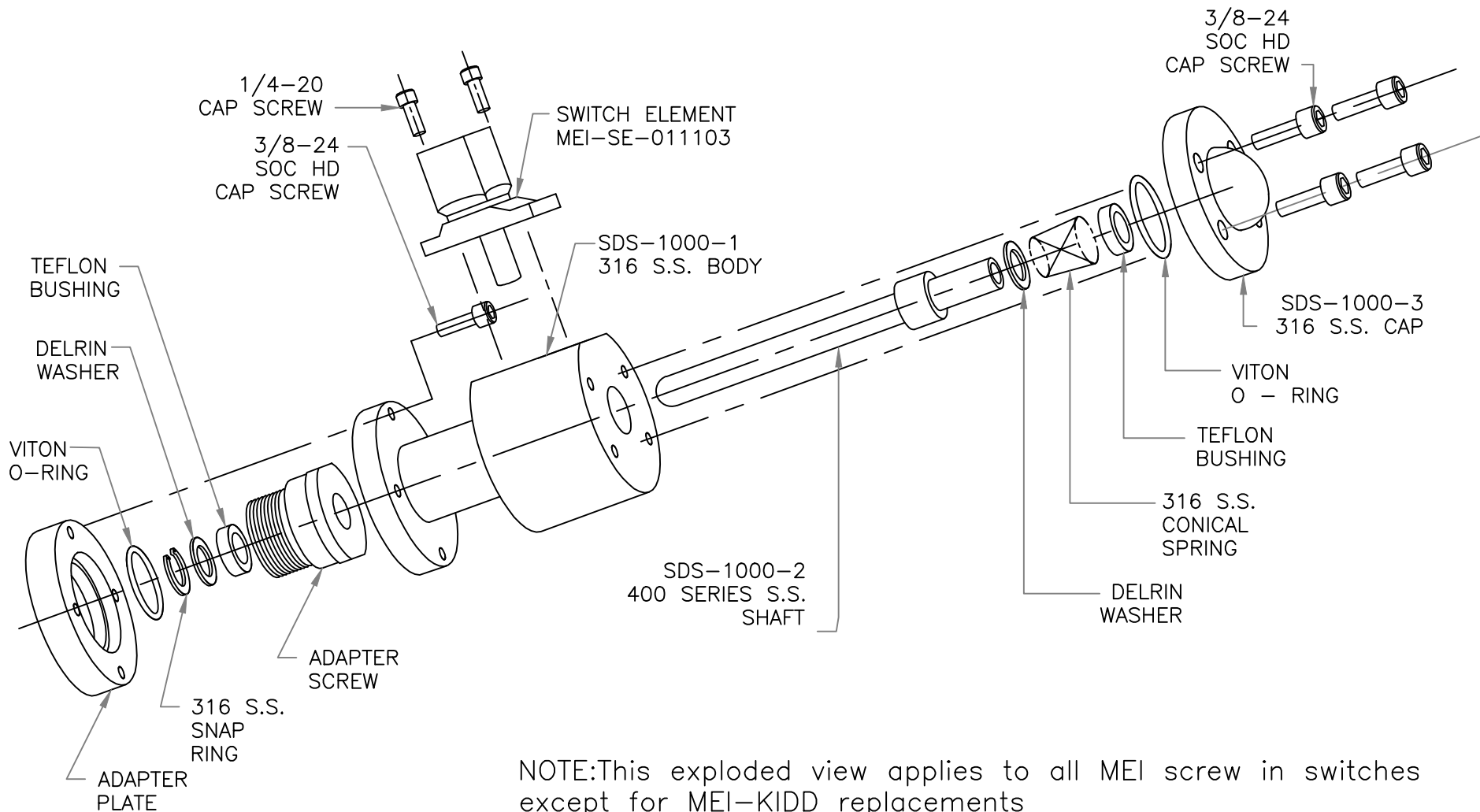
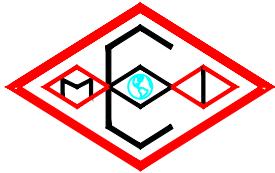


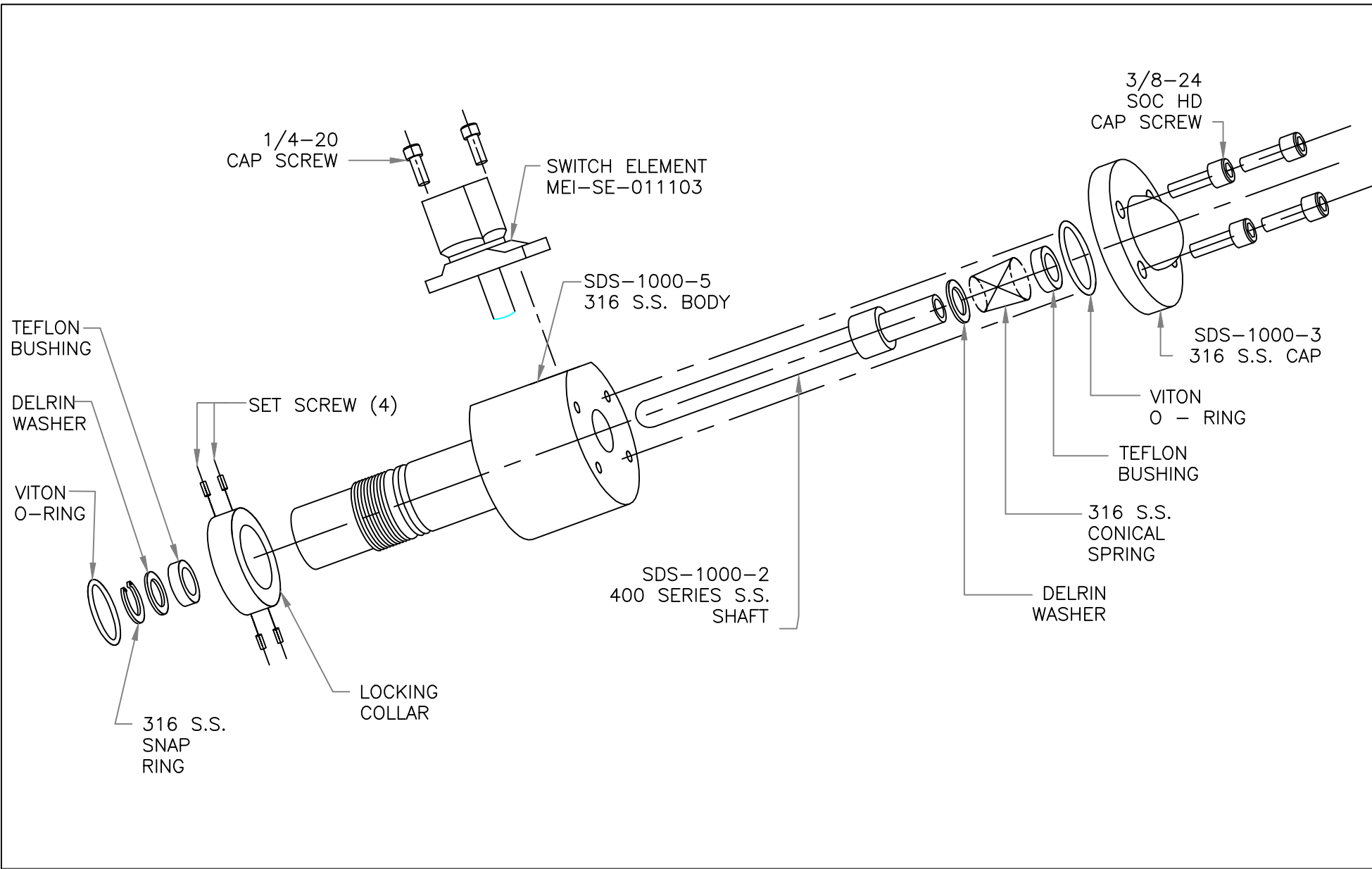
NOTE: This exploded view applies to: MEI - S Standard  
 MEI - FHMR Replacement  
 MEI - KIDD Replacement  
 MEI - Magtek Replacement

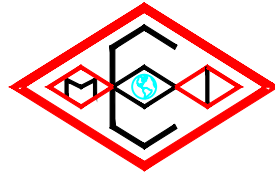
MATERIAL	TITLE  ASSEMBLY ISOMETRIC SPHERE DETECTION SWITCH	 <p>           METER ENGINEERS, INC.            1600 E Tigua            Kechi, Kansas 67067         </p>	DRAWING No. MEI-SDS-1000 SHT 1 of 1
----------	--	---	--



NOTE: This exploded view applies to all MEI screw in switches except for MEI-KIDD replacements  
 \*The lower bushing goes in the screw in adapter and NOT in the switch body.

MATERIAL	TITLE  ASSEMBLY ISOMETRIC SPHERE DETECTION SWITCH MODERN ADAPTER	 METER ENGINEERS, INC. 1600 E Tigua Kechi, Kansas 67067	SHT 1 of 1
		DRAWING No. MEI-SDS-1000-4	



<p>MATERIAL</p>	<p>TITLE</p> <p>ASSEMBLY ISOMETRIC SPHERE DETECTION SWITCH KIDD BASE</p>	 <p>METER ENGINEERS, INC. 1600 E Tigua Kechi, Kansas 67067</p>	<p>DRAWING No. MEI-SDS-1000-5</p> <p>SHT 1 of 1</p>
-----------------	--	---	---